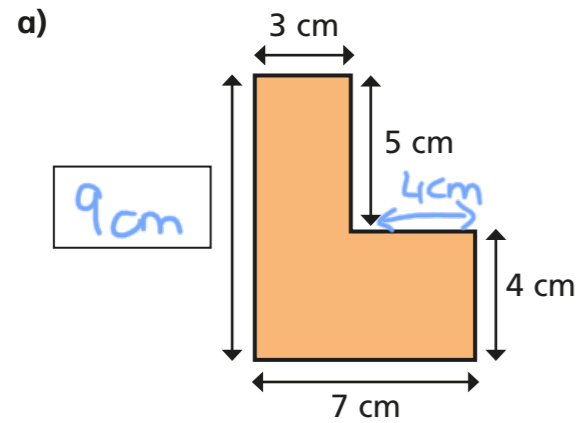
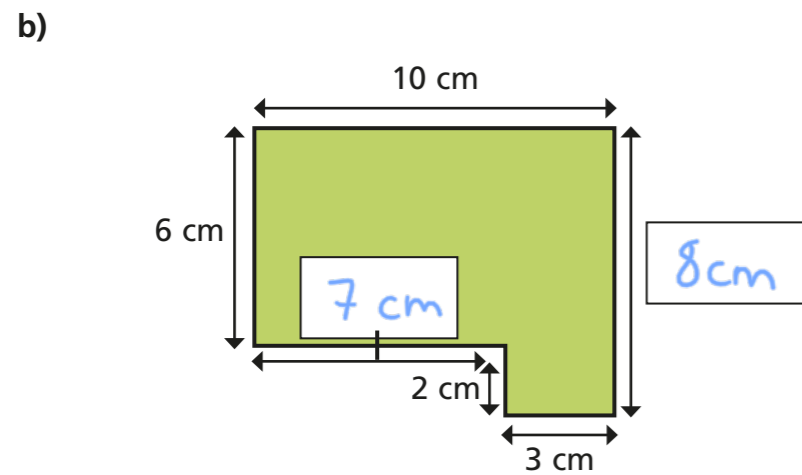


# Calculate the perimeter and area of compound shapes (1)

1 Work out the unknown lengths and then find the perimeter of each shape.

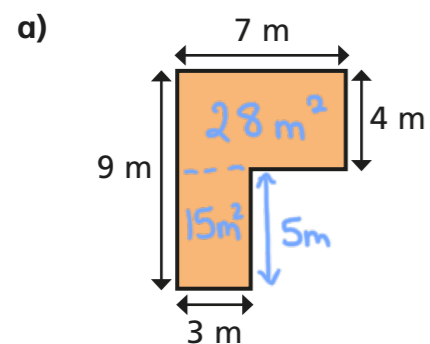


perimeter =  cm

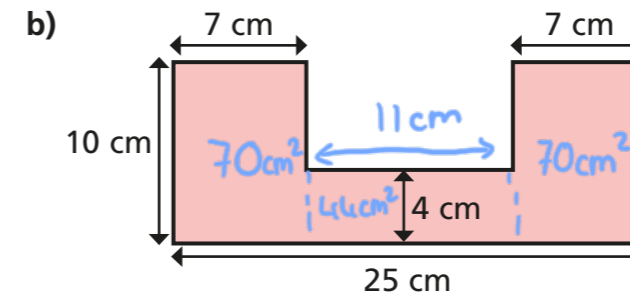


perimeter =  cm

2 Work out the area of each shape.



area =  m<sup>2</sup>



area =  cm<sup>2</sup>

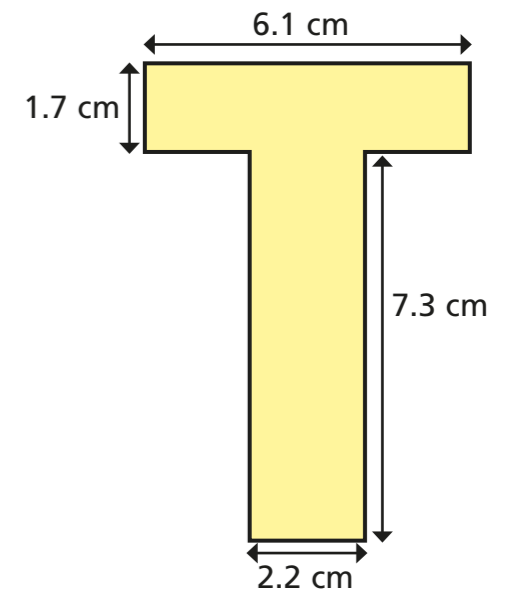
3



You can't work out the perimeter of this shape as you don't know the lengths of all the sides.

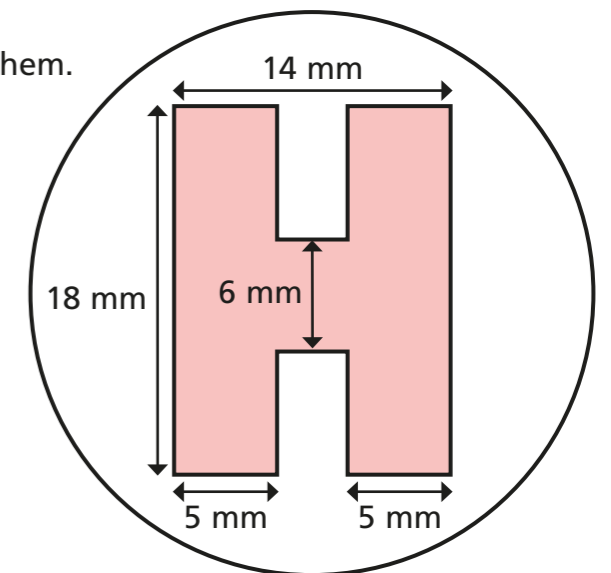
Is Mo correct? No

Explain your answer.



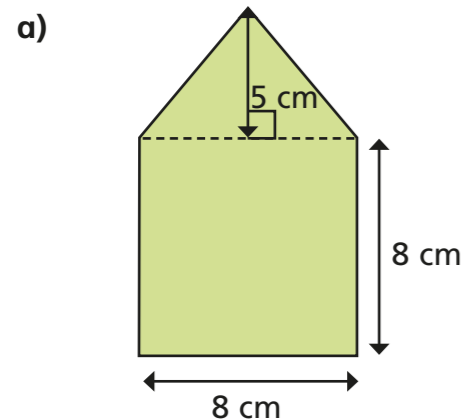
4

Some stickers have the letter H on them. What is the area of the letter H?

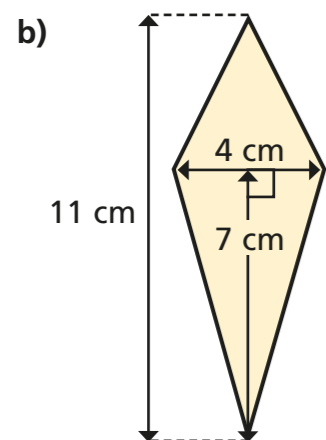


mm<sup>2</sup>

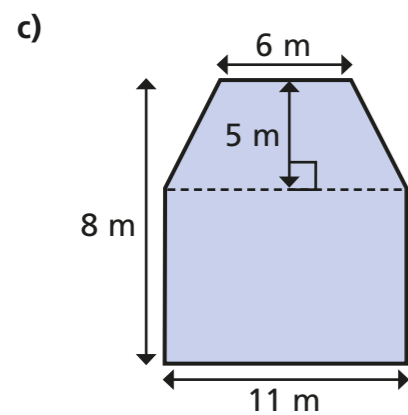
5 Find the area of each compound shape.



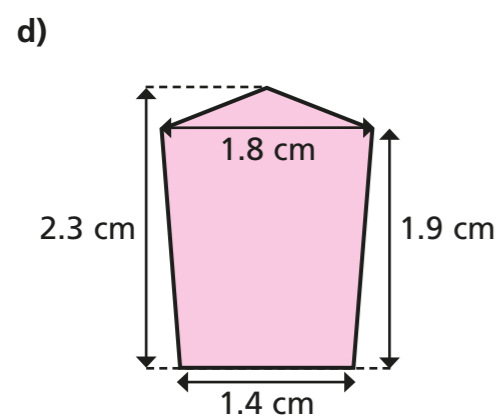
84 cm<sup>2</sup>



22 cm<sup>2</sup>



75.5 m<sup>2</sup>

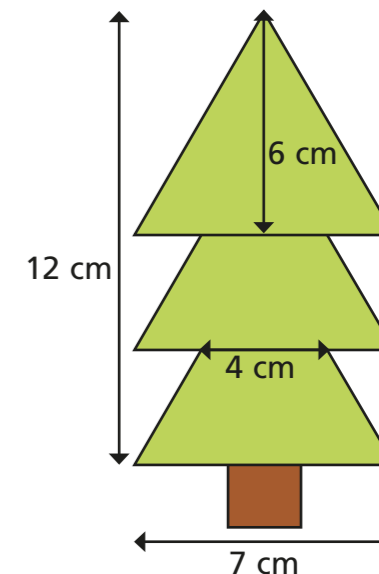


3.4 cm<sup>2</sup>

6 Dani makes a picture of a tree.

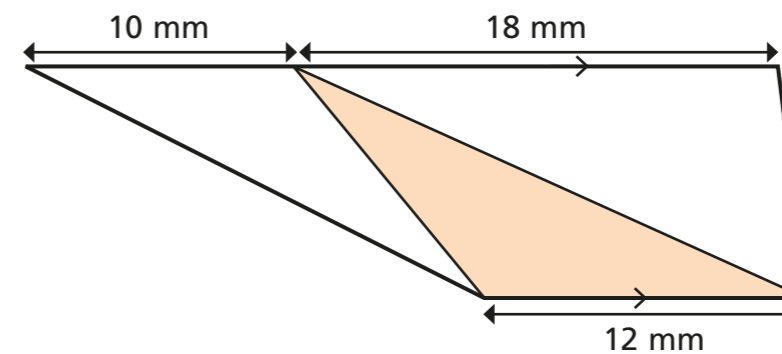
The tree is made up of a green triangle, two congruent green trapeziums and a brown square.

Find the area of the green part of the tree.



54 cm<sup>2</sup>

7 What fraction of the shape is shaded?



3/10

8 Which hexagon has the greatest area?

